

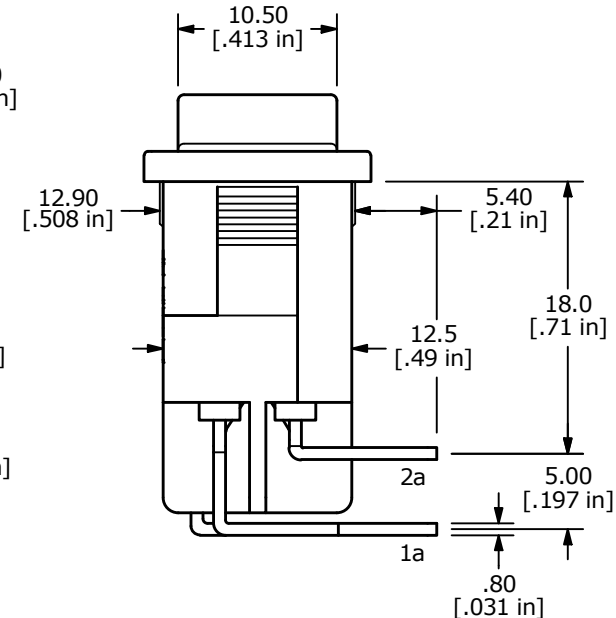
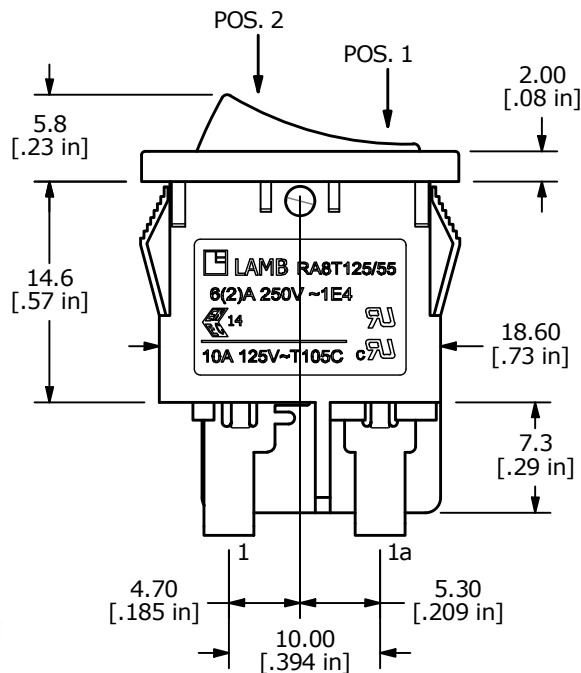
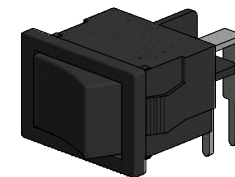
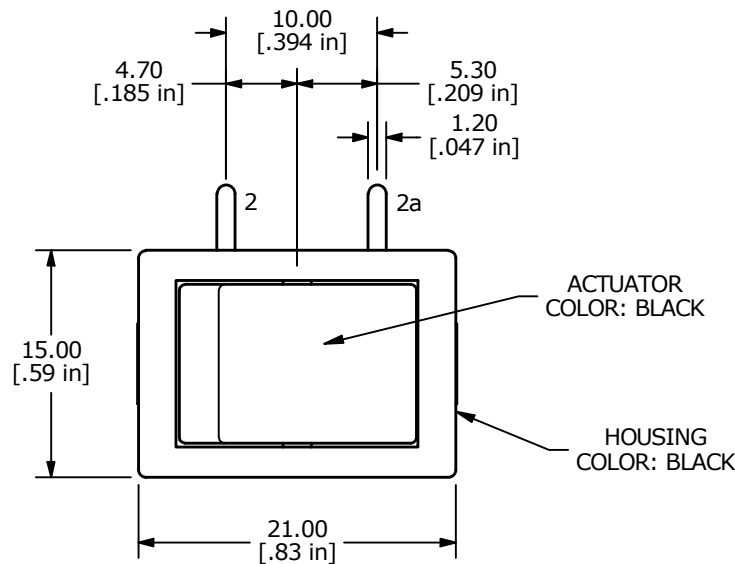
RECOMMENDED
P.C. MOUNTING

RECOMMENDED PANEL CUTOUT

PANEL THICKNESS	X
0.75 - 1.25	19.2
1.25 - 2.00	19.4
2.00 - 3.00	19.6

SWITCH FUNCTION	
POS. 1	POS. 2
OFF	ON
OPEN	1-1a,2-2a

- NOTE:
- DIMENSIONS IN MM [INCH]
 - GENERAL TOLERANCE: X.X ± 0.4
X.XX ± 0.25
 - TERMINAL NUMBERS FOR REF ONLY
 - CONTACT MATERIAL: SILVER
 - ▲ 5. CONTACT RATINGS: 10A @ 125VAC [UR, cUR]
6(2)A @ 250V~ (ENEC)
 - CONTACT RESISTANCE: 35mΩ MAX. @ 50VAC
 - INSULATION RESISTANCE: 100MΩ MIN. @ 500VAC
 - DIELECTRIC STRENGTH: 1,500VAC FOR 1 MINUTE
 - ELECTRICAL LIFE: 6,000 CYCLES [UR, cUR]
10,000 CYCLES [ENEC14: 6(2)A 250v~]
 - OPERATING TEMPERATURE: -20°C to 105°C [UR, cUR]
-20°C to 125°C [ENEC14: 6(2)a 250v~]
 - ▲ 11. DENOTES CRITICAL PARAMETER



C	24456	update print	8/25/20	MW
B	23334	UPDATED TERMINALS	4/26/18	MJR
A	22752	NEW RELEASE	3/6/17	MJR
REV	PCR NO	DESCRIPTION	DATE	BY



TITLE RA8H231100

SCALE	DATE	DR	DWG	REV
2:1	3/6/2017	MJR	38-RA8H231100	C

THE INFORMATION CONTAINED IN THIS DOCUMENT IS PROPRIETARY TO E-SWITCH AND IS NOT TO BE COPIED OR TRANSFERRED